

peninsulapools

20 New Street Frankston Vic 3199  
[t] 03 9781 2944 [f] 03 9781 5421  
[e] peninsulapools@bigpond.com [w] www.penpools.  
com

Dear Valued Customers,

Prior to purchasing your aboveground swimming pool, we recommend that you take the time to compare our products and services to that of our competitors.

To enable you to make an informed decision we have created a question & answer sheet covering the following topics:

1. Peninsula Pools & Zodiac.
2. Zodiac Quality.
3. Filtration Equipment
4. Hand over Equipment & Accessories
5. Nature II
6. Solar and Gas heating systems
7. Installation
8. Building Permits
9. Water Restrictions
10. Pool Fencing
11. Water Balance & Chemicals
12. Peninsula Pools & on-going discounts
13. Other Considerations

## 1. Peninsula Pools & Spas

### **Mission Statement:**

Peninsula Pools has been servicing the community with pool and spa products tailored to each individual needs since 1979. We, the staff and management of this business; continually commit ourselves to provide reliable, consistent and up to date products and services, while supporting Australian made products. We measure our success by the size of the smile on our “customers” faces. A successful business starts with a happy customer.

### **How many years has the business been specialising in the sale of above ground swimming pools?**

Peninsulas Pools has been specialising in aboveground swimming pools since 1979 and has operated from the current location since 1982.

### **Will you be provided with a written quote detailing all of your requirements?**

Peninsula Pools provides each customer with a comprehensive written quote detailing all of your requirements.

### **Who will you be dealing with, in the event of a warranty claim?**

In the unlikely event that you need to make a claim, Peninsula Pools will assist wherever possible. All of the Pools that we sell are covered by a manufacturer’s warranty, unlike some companies which have a retailer’s warranty. There is a distinct difference, please ask us.

### **Where will you have the water tested and do they have the expertise to deal with any complications I may have?**

Peninsula Pools offer a free computerised water analysis with print outs of your test results. All of our staff members are highly trained in all areas of pool and spa chemistry.

### **In the unfortunate situation you have a problem with your chemical balance or equipment, who will be available to assist?**

Peninsula Pools offer a prompt on site service by experienced industry professionals.

## 2. Zodiac/Driclad Quality:

When you think that Zodiac made the rescue Space Shuttle for the International Space Station, the boat that rescued yachtsman Tony Bullimore, the rescue system that saved U.S. balloonist Steve Fossett and the refuelling system used for Formula One Cars, is it any wonder that our space-age technology is also used to make the best modular pools in the world?

### **Is this pool made in Australia or is the pool imported to Australia?**

The majority of Zodiac Pools are Australian made. Please ask for confirmation as to the place of manufacture of your Pool choice.

**Are spare parts available, if or when I require them?**

Peninsula Pools stock a majority of spare parts as all Driclad spare parts are made in Australia, making them readily available.

**What type of steel is used in the construction of the pool?**

Zodiac pools are renowned for their high quality and strength as a result of using locally manufactured BHP Steel\*.

**Has the pool, a powder coated or colorbond\* finish?**

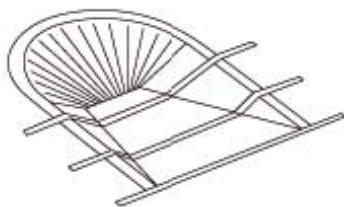
All of our Zodiac pools are finished in a BHP colourbond\* steel for outstanding durability.

**What gauge (thickness) is the liner?**

Zodiac made pools use heavy-duty 0.5mm liners as standard.

**Can the pool be installed below the ground and still be covered by the warranty?**

All Zodiac pools can be installed below ground and be covered by warranty provided they are installed as per the installation manual and form 11 specifications. Some Pools that are sold in Australia are not warranted by the manufacturer, all of our Pools are warranted by the manufacturer Zodiac.



**Is the deep end a metal structured deep-end?**

Zodiac provides a metal structured deep-end pool with liners designed to match. We don't just remove soil, allowing the liner to stretch. We do things properly.

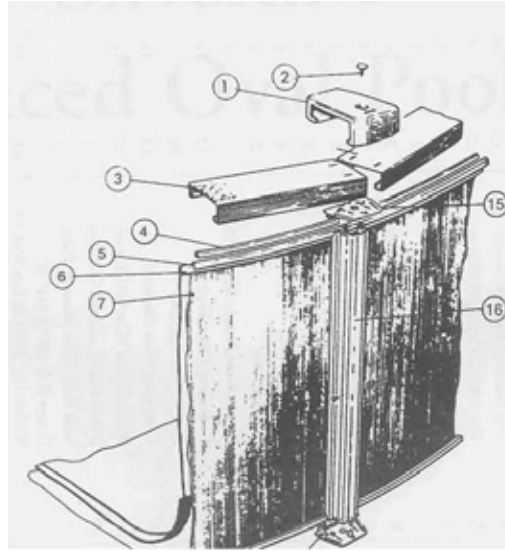
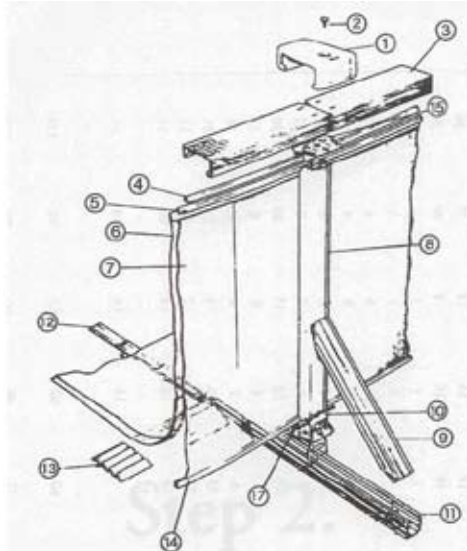
**Optional Deep-End!**

Your Zodiac deep-end pool gives you a genuine structurally braced or braceless deep-end - not just a shallow bowl! A 4'4" Pool becomes 6'4" and a 4' pool becomes 6'.

**Is the pool a Braced or Brace less Aboveground Pool?**

Braced pools are usually less expensive than Braceless even though all Zodiac pools are engineered to the same standard. Braced flat bottom pools are commonly purchased when the pool is to be installed below ground or incorporating decking where the braces will not be seen.

Brace less pools are the preferred choice for aboveground installations as the fencing requirements are minimal as the pool wall is considered as a fence / barrier,



requiring only the ladder area to be fenced. Confirm your particular situation requirements with your building surveyor.

Braced Pool

Braceless Pool

### 3. Filtration & Equipment

#### **What brand of filtration will be offered and why?**

Peninsula Pools can supply any brand of equipment you request which offer the highest quality, extended warranties in comparison and have terrific flow rates.

#### **What warranty has the filtration equipment?**

Both Davey & Hurlcon offer the same warranty periods:

Pumps: Limited 3 years

Sand Filters: 10yr pro-rata on the tank & 12mths on the multi-port valve.

Cartridge Filters: 5 year limited warranty.

Please ask for relevant warranties as different companies offer varying warranty terms.

#### **What are the pump flow rates?**

Please refer to the brochures provided. Peninsula Pools match the equipment with the size of the pool requested. Our recommendations are made upon: performance, location of equipment and cost.

#### **What will be the required operating times for pump & filters?**

This depends on the brand, model and location of the equipment. To work this out we need to calculate the pool volume as indicated below:

Length x Width x Average Depth = Volume x 1000 = lt

Eg. 7.3 x 3.6 x 1.2 = 31.54 x 1000 = 31,536 lt

A Hurlcon CX240 1 hp pump turns over 240lt per/min therefore:  
31,536 divided by 240 = 131.4 min divides that by 60min  
= 2.19 hours

#### **4. Handover Equipment & Accessories**

##### **What will the handover equipment consist of?**

Peninsula Pools provide the following:

- ~ 9mt (minimum) Vac Hose
- ~ 50 Chemical Testing Strips
- ~ Vinyl All Brush Vacuum Head
- ~ 8-16' Telescopic Handle
- ~ 18" Broom
- ~ Leaf Rake
- ~ Filter Sand (with sand filters)

#### **5. Nature II**

Peninsula Pools provide the Nature II as an option with every pool sold.

##### **What is Nature2?**

Nature2 Express is a water sanitising system, which uses trace mineral elements to kill bacteria and algae in your pool. Using Nature2 allows you to use significantly less harsh chemicals like chlorine. The silver in Nature2 combined with a small amount of chlorine kills bacteria much faster than chlorine alone. Nature2 keeps pool water stable even in hot weather and in heavily used pools.

Nature2 systems work automatically, require no electricity and have no moving parts. Nature2 uses the water flow from your existing filtration system through the cartridge to assist in killing bacteria, as effectively as a totally chlorinated or salt chlorinated pool.

##### **The benefits are crystal clear.**

**Purity** - Nature2 purifies naturally, eliminating the need for large amounts of harsh chemicals such as chlorine.

**Simplicity** - Nature2 users report spending significantly less time on pool maintenance. Maintaining water balance and stability has never been easier.

**Compatibility** - Nature2 has no moving parts. It works as part of your existing water circulation system.



**Performance** - Nature2 kills bacteria up to fifteen times faster than chlorine alone and is unaffected by hot water.

## **6. Solar & Gas Heating Systems**

**Will the solar system include a separate pump and digital controller and if so what brand, model and warranty will they have?**

Peninsula Pools chooses to use Eureka Solar heating systems. These systems include a suitable Hurlcon pump and Eureka digital controller.

**What size (surface area) will the solar collector be?**

The industry minimum is 60% with most solar retailers choosing to install 80%. Peninsula Pools always goes that step further to ensure customer satisfaction by installing 100% of the pools surface area.

**What profile & diameter bore will the collector have?**

Eureka New Generation Solar Systems have a 9mm bore allowing up to 2 ½ times as much water to be passed through the collector and in addition the unique finned profile having approximately 130% more surface area to conventional solar collectors.

**What warranty will you receive with your solar system?**

Eureka Solar Systems have the following warranties:

Collector: 10 year

Controller: 12 months

Pump: 3 years

**What is the solar collector made of?**

Eureka Solar Systems are made of a unique UV stabilised rubber for greater resistance to breakdown.

**Can the pool be heated with gas heaters?**

All of the Zodiac/Driclad pools can be heated using gas. Peninsula Pools recommend Hurlcon Gas heaters. Hurlcon have provided us with a computer programme to determine the most suitable size of heater to suit the purchaser's requirements.

## **7. Installation:**

### **Will your retailer provide you with a pool site plan and current form 11 with engineering computations?**

Peninsula Pools has all of the current permit requirements on hand to ensure that everything runs smoothly from start to finish.

### **Will your retailer provide details of recommended installers?**

Peninsula Pools will not recommend any particular installer as we do not and will not receive payments for referrals. We encourage our customers to compare price, experience and insurance details prior to making their decision. We will however supply customer referrals with phone numbers.

### **See the Installers quality of work before you decide which to use.**

The new display centre that we have recently finished in New Street Frankston is the only display centre in Melbourne with all In ground and above ground installations, enabling you to see the installers quality before you decide which to use.

## **8. Building Permits:**

All pools and spas require a **building permit**. These permits can be obtained from any building surveyor and some local council's. The permits on average cost \$350 upward. You will need to supply a certificate of title, site plan of your house & land then complete an application form supplied by your surveyor. Permits usually take about two weeks to process however properties subject to town planning may be longer. Permits with an "estimated" value of \$5000.00 or less, usually require only one inspection and no additional charges.

## **9. Water Restrictions:**

An application form for your water permit can be downloaded from the Peninsula Pools web site.

## **10. Pool Fencing:**

Some pool fencing is usually required however each council's interpretation of the law may differ. It is therefore recommended that you contact your local council to ensure that you comply. Peninsula Pools can supply contact detail for two fencing companies if required.

**11. Water Balancing:**

Peninsula Pools recommends the P.Q. range of Chemicals.

**12. On going discounts:**

With every pool purchased we provide a VIP customer card offering a 10% discount on selected chemicals and equipment. Every dollar counts!

**13. Optional Extras:**

- ~ Fibreglass Step Entry with Aluminium handrail
- ~ Salt Chlorinators (available at minimal price for Noosa Reef Pools)
- ~ Automatic Pool Cleaner
- ~ Moulded ladder
- ~ Balancing & Maintenance Chemicals
- ~ Solar & Gas Heating Systems
- ~ Oasis Bubble Solar Covers & Reel
- ~ Woven Cover & floats to suite
- ~ Nature II
- ~ In Line Tablet Feeder for semi-automatic chlorine release
- ~ Underwater Pool Light, lead and 12V transformer
- ~ Pool Fencing: Aluminium and Glass
- ~ PVC pipe, fittings and valves
- ~ Liner Prints